

# INTERMICO Index table

All illustrations in the middle of a dwell period



INTERMICO Index table

*Cam gears*

*Modules of automation*

**Hersteller:**

MIKSCH GmbH  
Reutlinger Str. 5  
73037 Göppingen  
Germany

Tel.: +49-(0)7161/6724-0  
Fax: +49-(0)7161/14429  
E-Mail: [miksch@miksch.eu](mailto:miksch@miksch.eu)  
[www.miksch.eu](http://www.miksch.eu)

Die  
MIKSCH GmbH  
wird vertreten durch die geschäftsführenden Gesellschafter:  
Heribert Miksch und  
Dipl.-Ing. Alexander Miksch, MBA

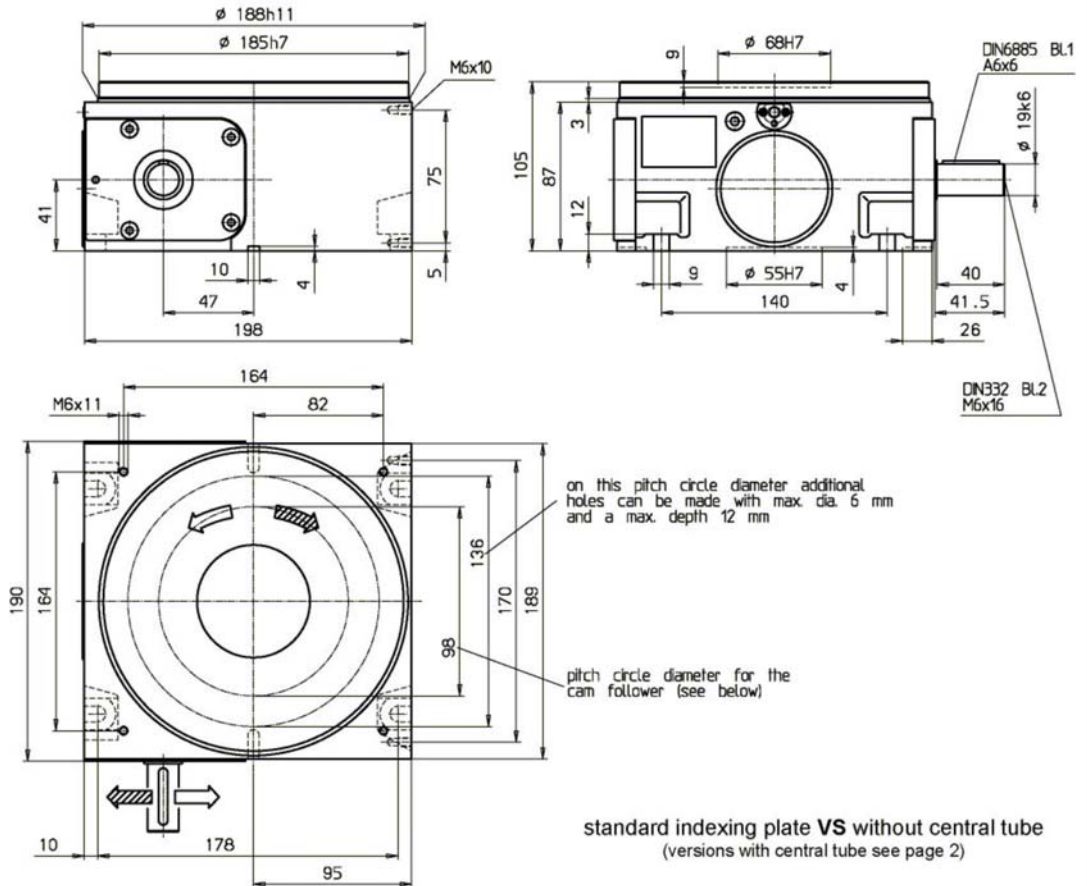
© 2012 MIKSCH GmbH, 73037 Göppingen

## Inhaltsverzeichnis

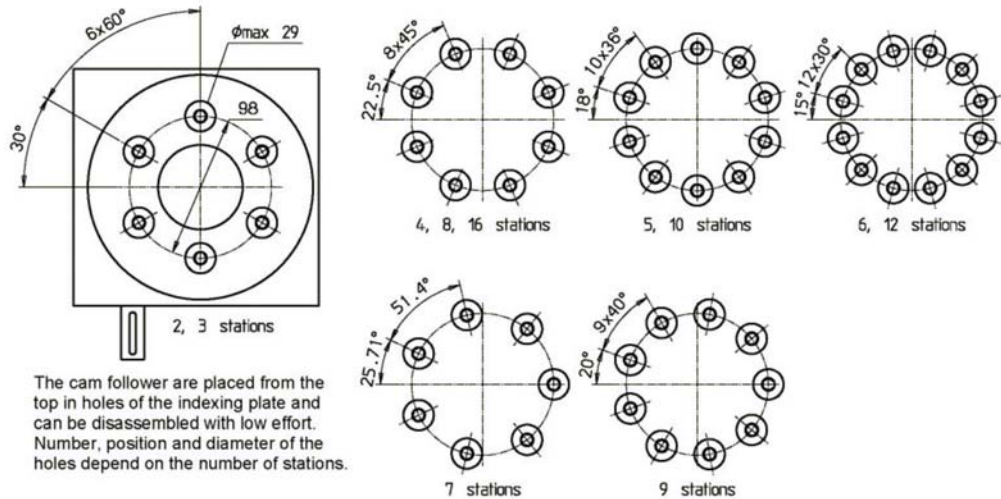
1	INTERMICO Index Table IR201 .....	2
2	INTERMICO Index table IR251.....	4
3	INTERMICO Index table IR301.....	6
4	INTERMICO Index table IR401.....	8
5	INTERMICO Index table IR601.....	10
6	INTERMICO Index table IR801.....	12

# 1 INTERMICO Index Table IR201

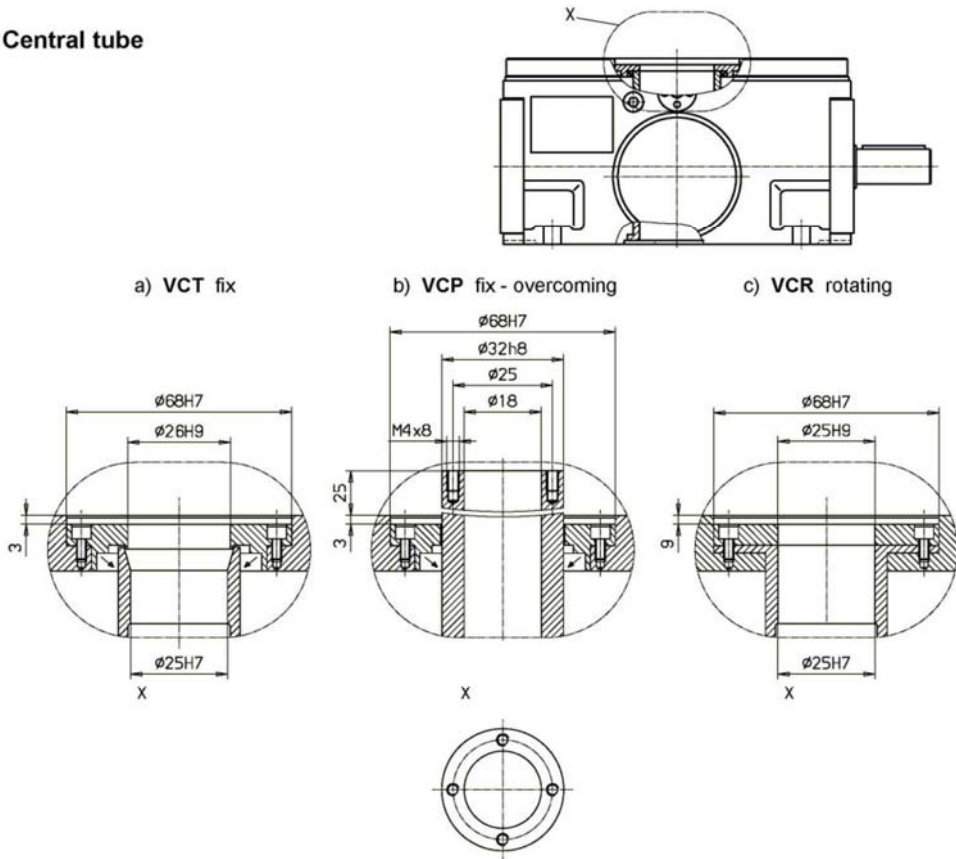
all illustrations in the middle of a dwell period



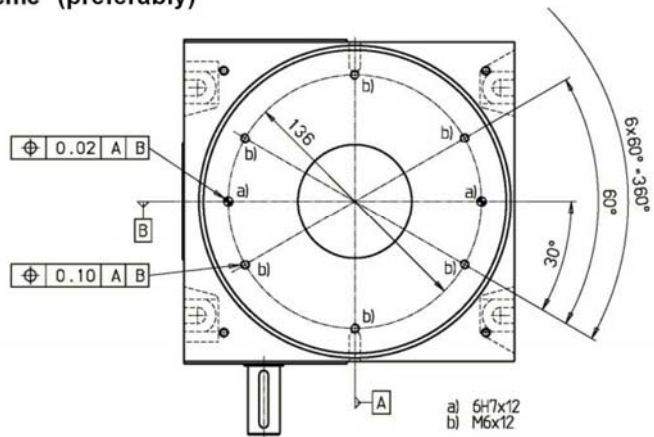
## Position of the holes for the cam followers in indexing plate



Central tube

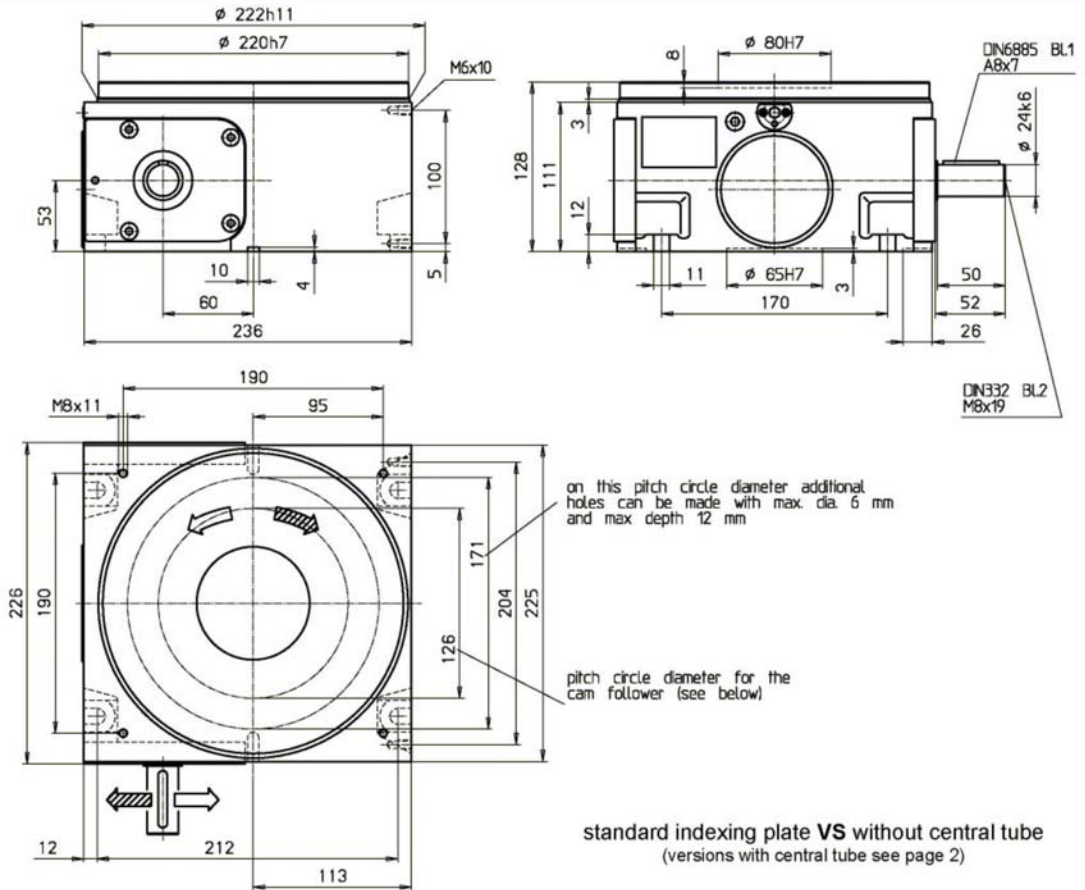


Drilling scheme (preferably)

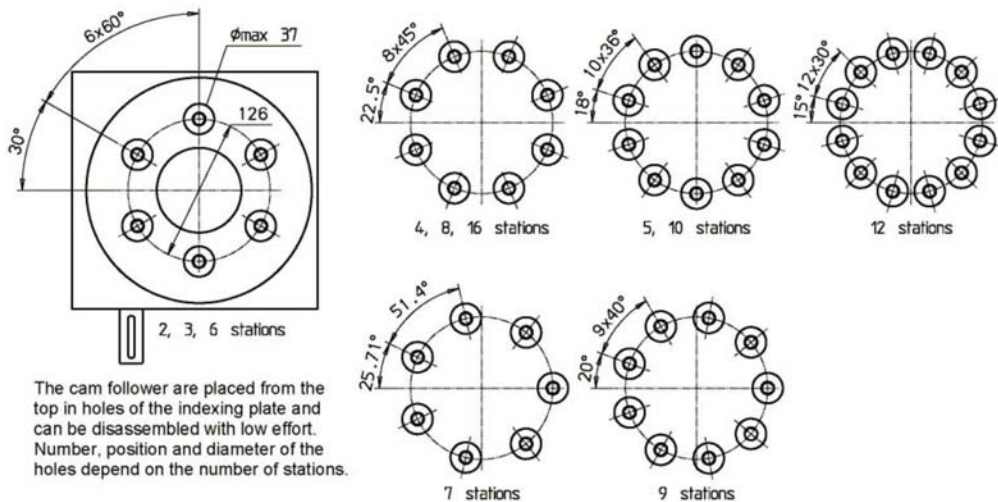


## 2 INTERMICO Index table IR251

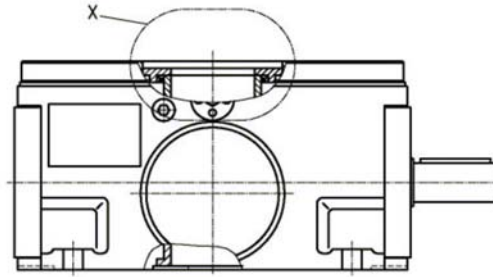
all illustrations in the middle of a dwell period



### Position of the holes for the cam followers in indexing plate



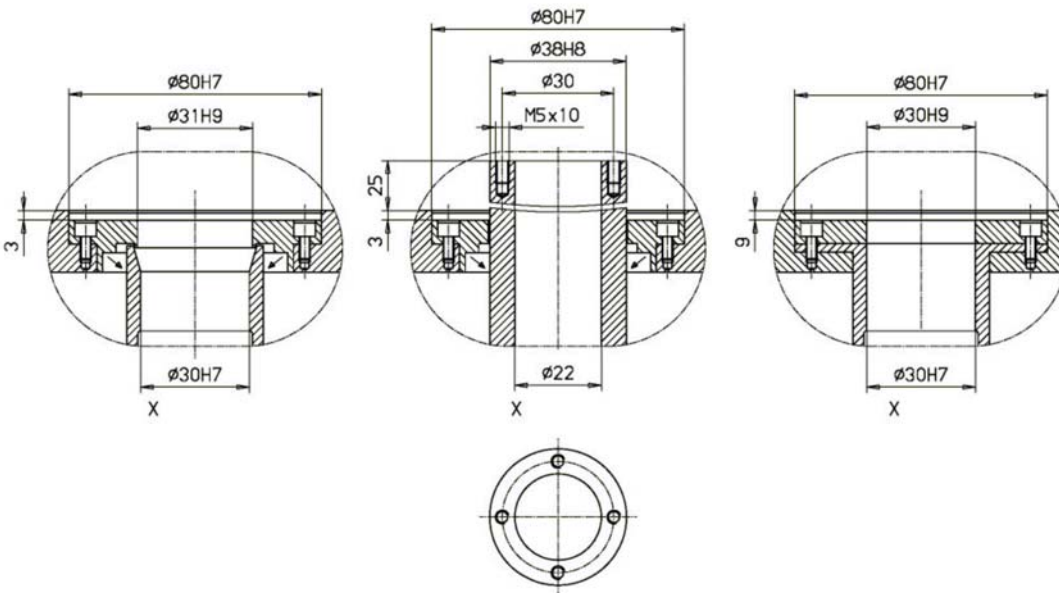
Central tube



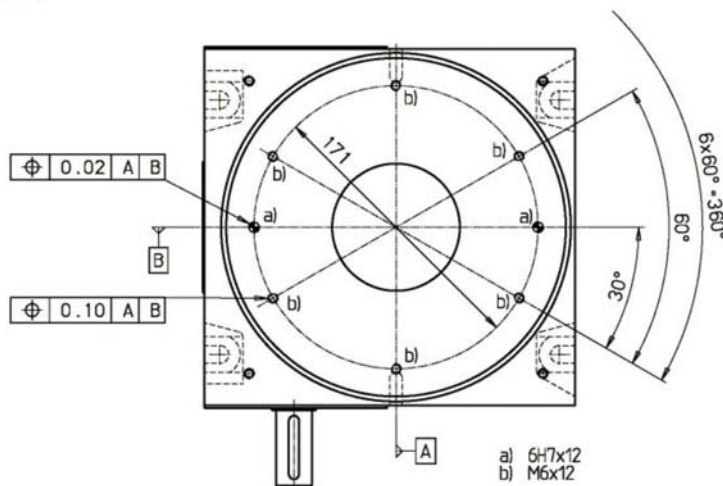
a) VCT fix

b) VCP fix - overcoming

c) VCR rotating

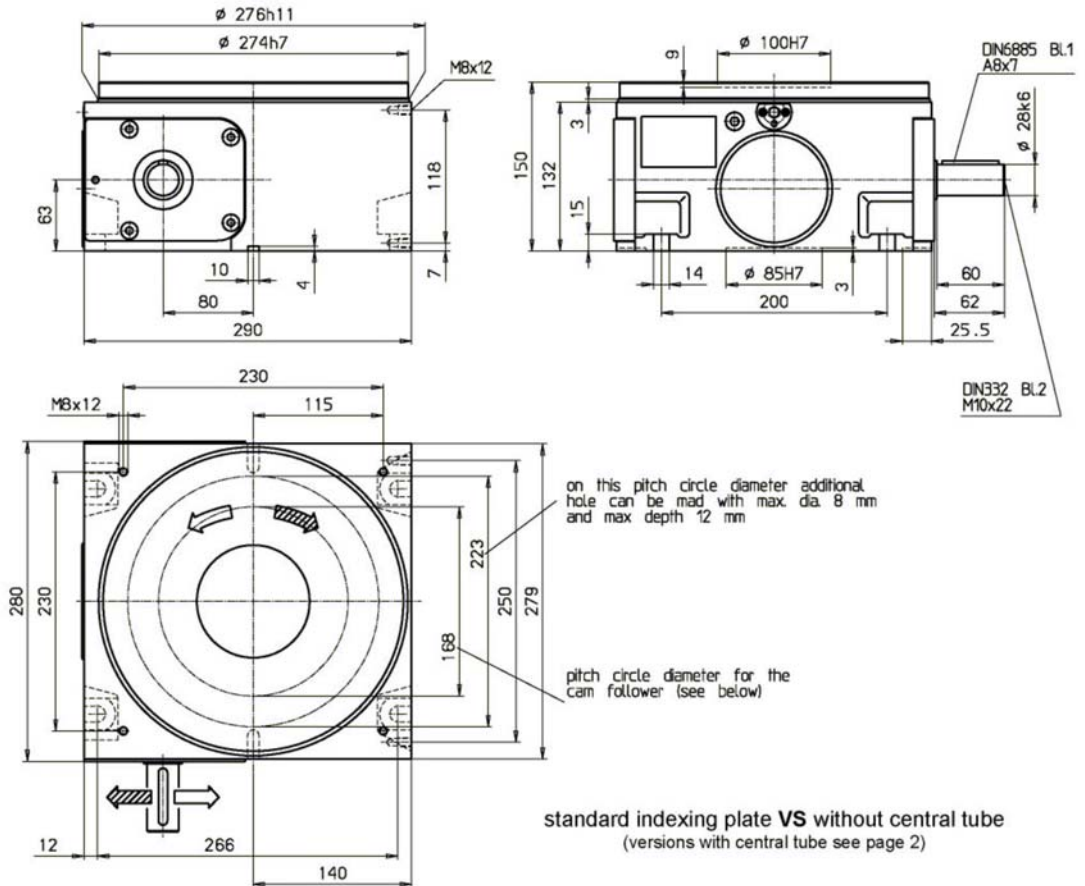


Drilling scheme

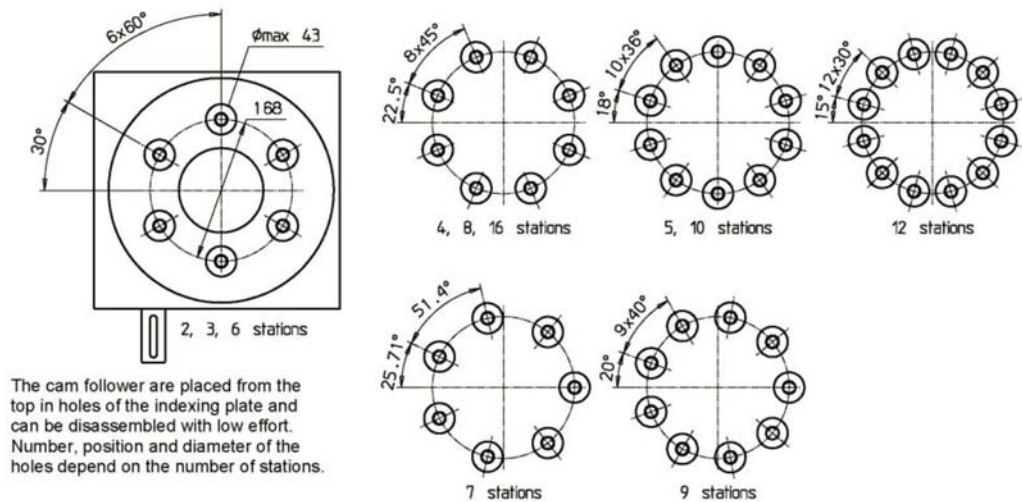


### 3 INTERMICO Index table IR301

all illustrations in the middle of a dwell period

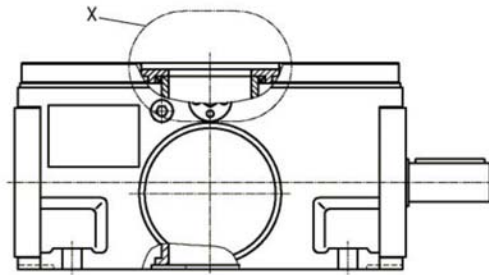


#### Position of the holes for the cam followers in indexing plate

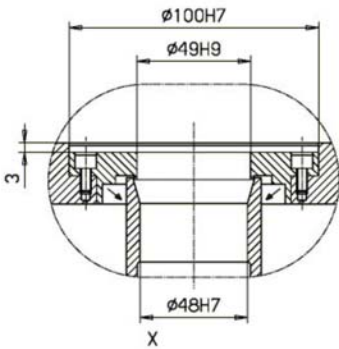




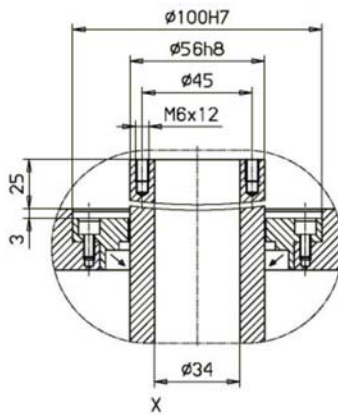
Central tube



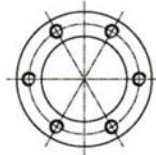
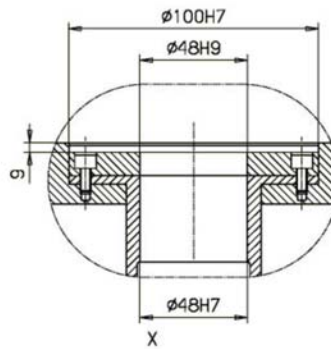
a) VCT fix



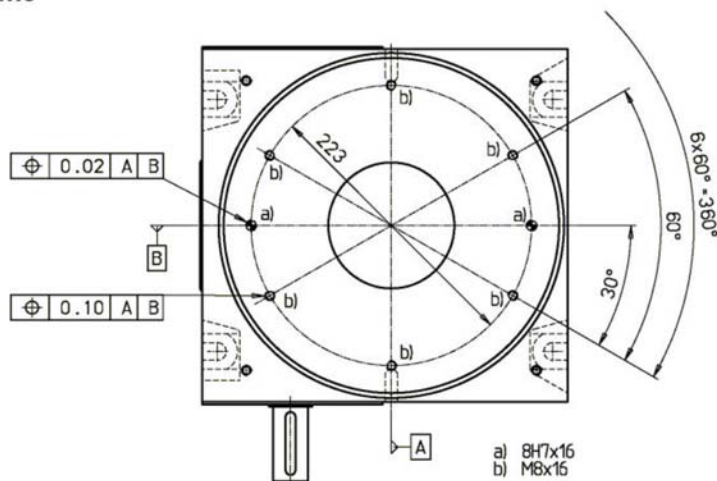
b) VCP fix - overcoming



c) VCR rotating

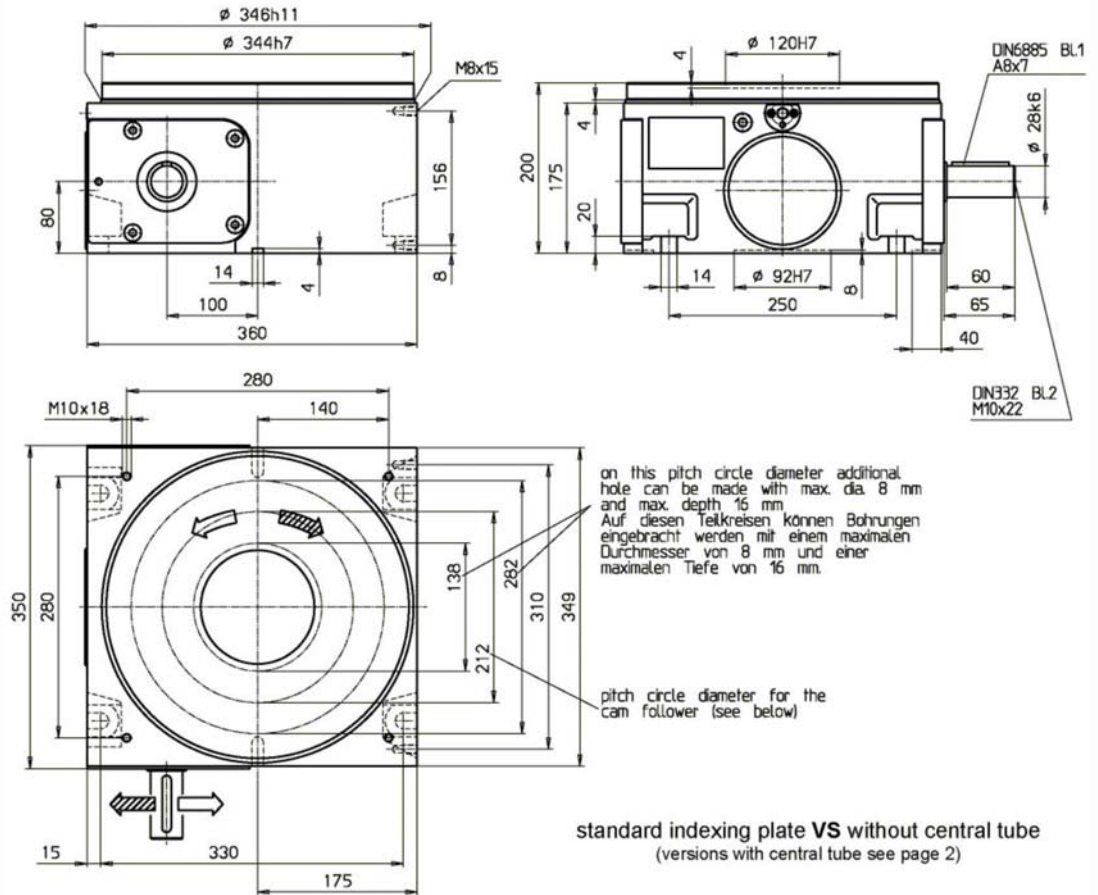


Drilling scheme

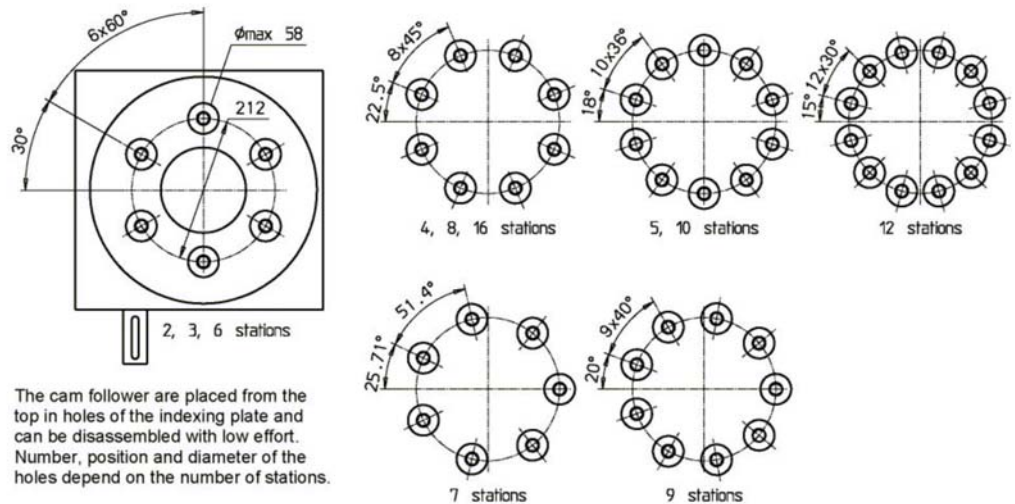


## 4 INTERMICO Index table IR401

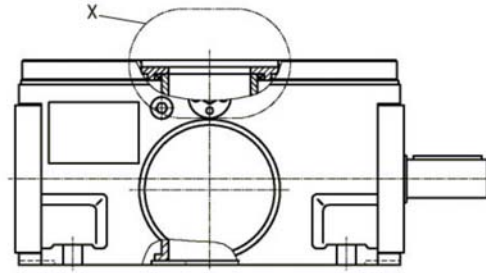
all illustrations in the middle of a dwell period



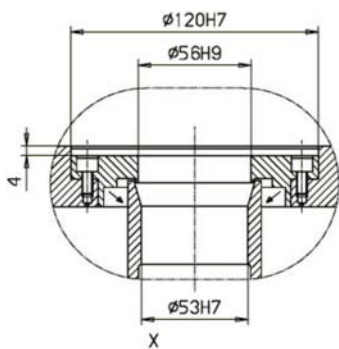
### Position of the holes for the cam followers in indexing plate



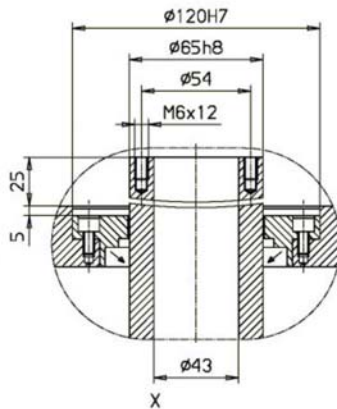
Central tube



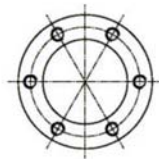
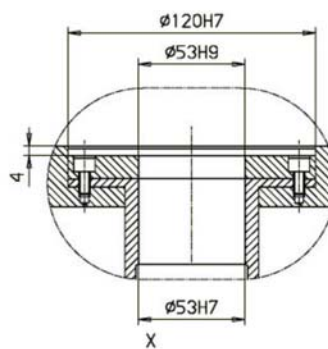
a) VCT fix



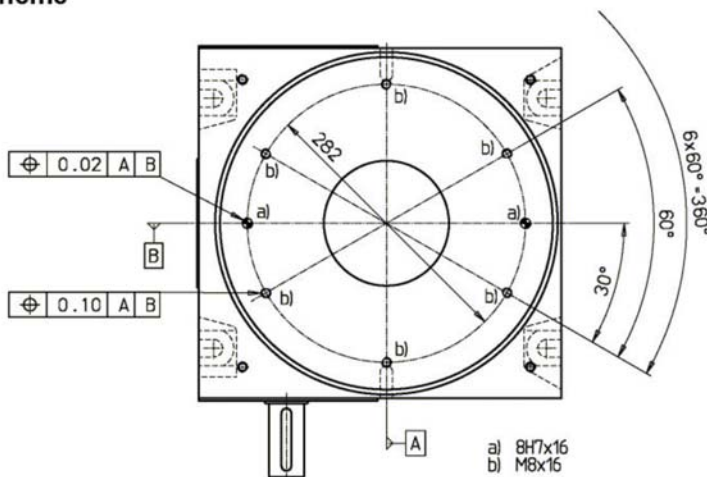
b) VCP fix - overcoming



c) VCR rotating

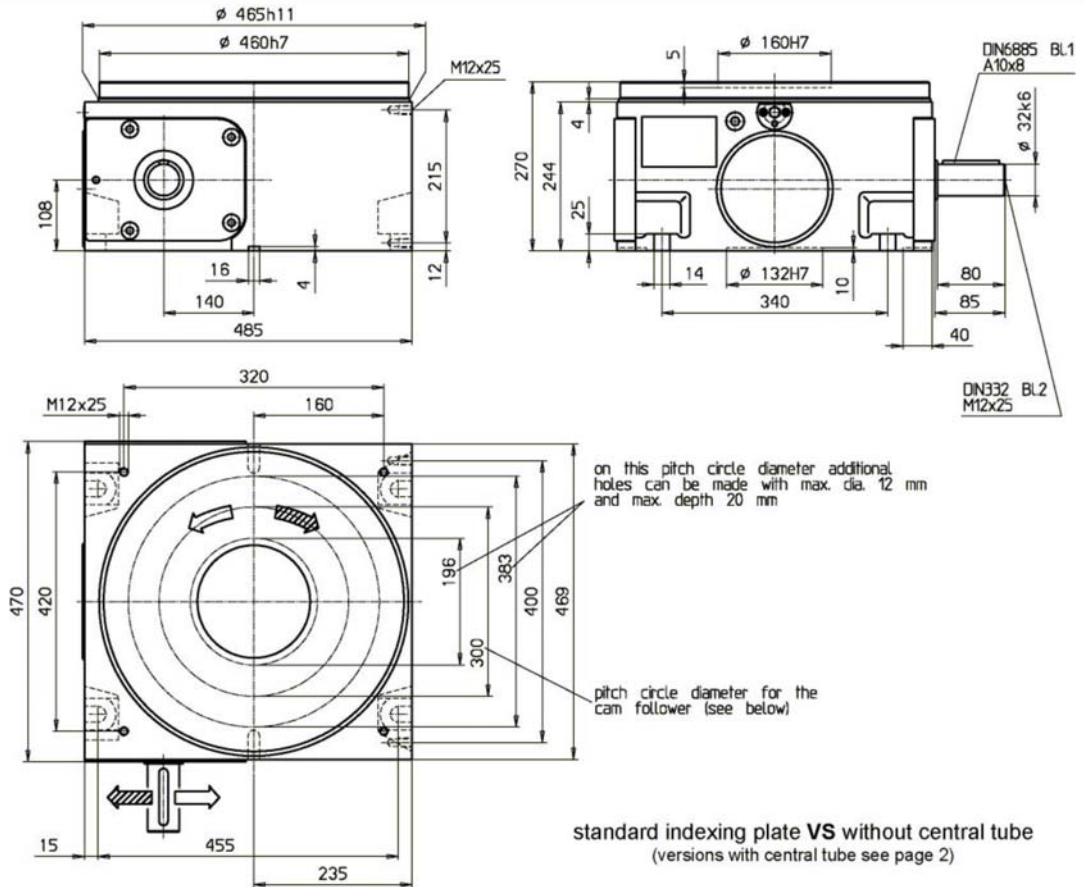


Drilling scheme

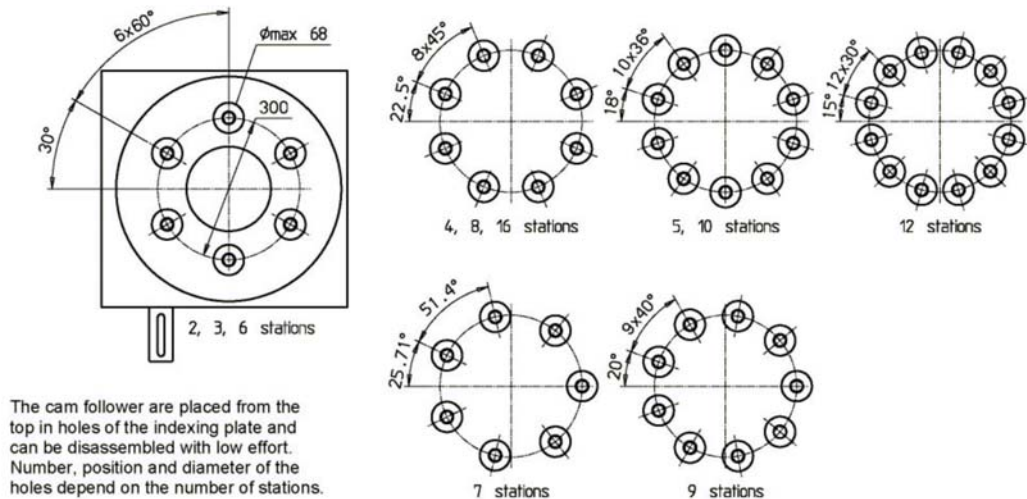


## 5 INTERMICO Index table IR601

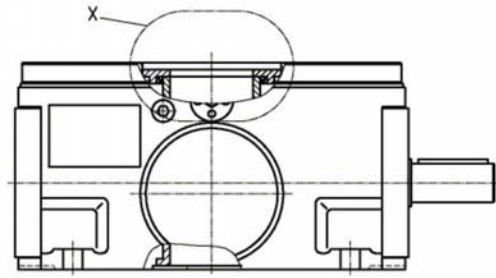
all illustrations in the middle of a dwell period



### Position of the holes for the cam followers in indexing plate



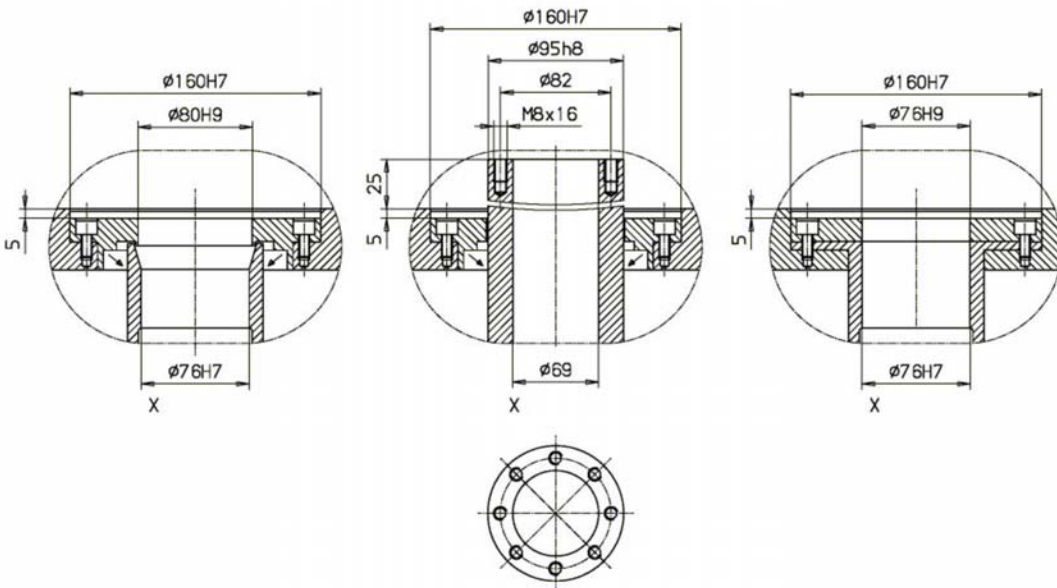
Central tube



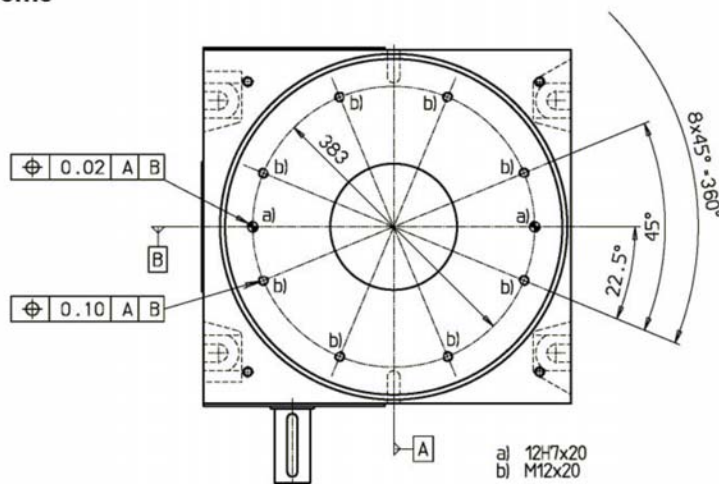
a) VCT fix

b) VCP fix - overcoming

c) VCR rotating

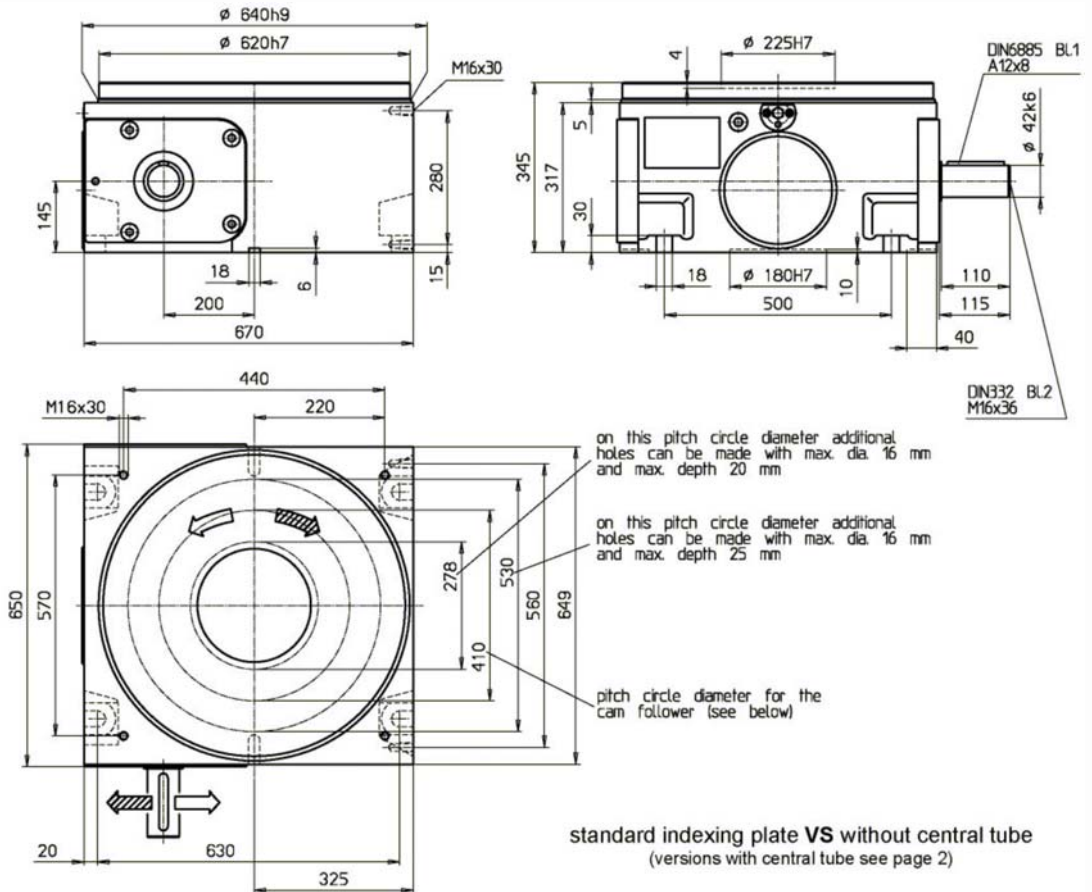


Drilling scheme

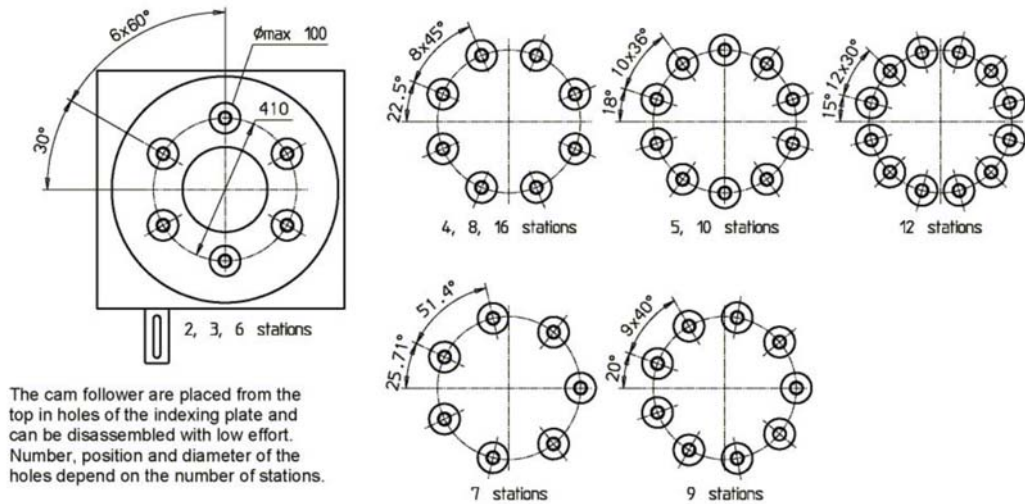


## 6 INTERMICO Index table IR801

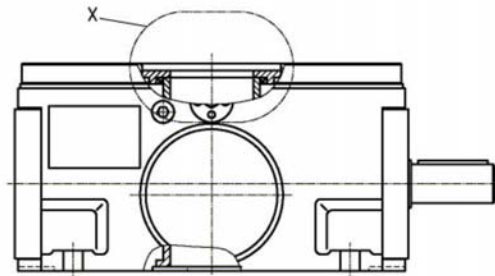
all illustrations in the middle of a dwell period



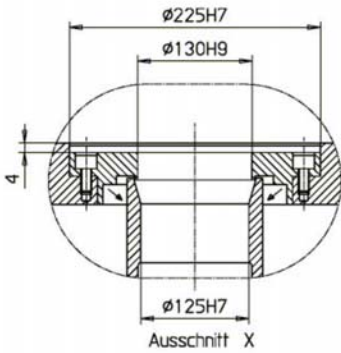
### Position of the holes for the cam followers in indexing plate



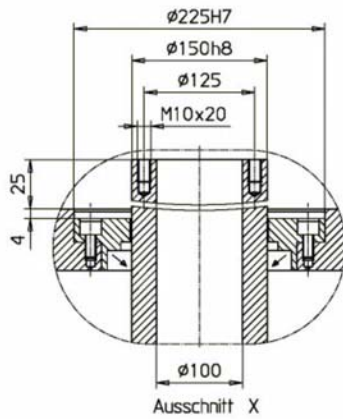
Central tube



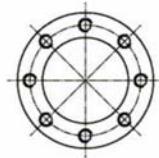
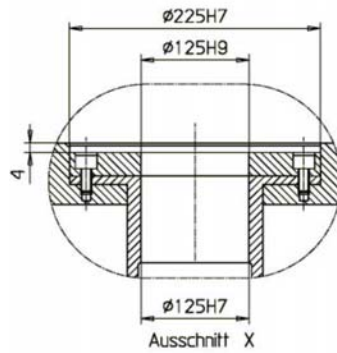
a) VCT fix



b) VCP fix - overcoming



c) VCR rotating



Drilling scheme

